



The information contained in this installation instruction is a quick reference guide. For detailed system information refer to the panel manufacturer's installation manual. This instruction will not address specific programming procedures.

GENERAL DESCRIPTION

This instruction applies to the model SCI-B47 and SCI-B67, which are to be connected to a DCP Signaling Line Circuit (SLC). The SCI-B is a short-circuit isolator combined in a base compatible with only the following analog detectors: ACA-V, ACC-V, ACD-V, ACE-V, AIE-EA, ALG-V, ALK-V, ALN-V, ALO-V, ATG-EA, ATJ-EA. A remote fire LED facility is provided when a sensor is attached to the base. Typical applications are for use in hotels, apartments, and hospitals.

These two devices detect and isolate short-circuits on the loop. When a short-circuit is detected during power up these isolators will illuminate their integral LED (yellow) and drop the power to the rest of the loop.

NOTE:

- 1) If a detector is fitted this will still be powered when the device is isolating (yellow LED illuminated).
- 2) Install base wiring in accordance with the applicable drawings and appropriate wiring diagram (see page 2).

PRECAUTIONS

- Ensure that both devices are installed in accordance with local standards or regulations.
- Only install in suitable environments, the following should be avoided;
 - * Excessive ambient temperature
 - * When excessive condensation or moisture is present
 - * Hazardous areas
- Do not use a high voltage tester on these devices.
- Ensure that the SCI-B47/-B67 bases isolator are securely fixed to the ceiling or other suitable surface.
- Ensure that the terminals on both devices are securely fastened.
- When fitting the SCI-B47/-B67 isolator bases, for proper supervision, ensure that the loop connections are not spurred off a main wiring route.
- Ensure the SCI-B47/-B67 are fitted with a sensor.
- Ensure yellow isolating LED on either device is easily visible.

SPECIFICATIONS

SPECIFICATIONS	
Model	SCI-B47, SCI-B67
DCP Voltage Range	17 - 41 VDC
DCP Loop Idle Current	160µA
DCP Loop Max. Alarm Current	10mA
Maximum quantity per loop	127
LED color	Yellow
Maximum Humidity	93%RH (non-condensing)
Operating Temperature Range	0°C (32°F) ~ 38°C (100°F)
Storage Temperature	-30°C (-22°F) ~ 70°C (158°F)
Base Diameter	4" (SCI-B47), 6" (SCI-B67)
Weight	81g (SCI-B47), 190g (SCI-B67)
Compatible Detectors	ACA-V, ACC-V, ACD-V, ACE-V, AIE-EA, ALG-V, ALK-V, ALN-V, ALO-V, ATG-EA, ATJ-EA

CAUTION !

To ensure proper operation connect this base to a compatible Fire Control Panel only. Refer to panel instructions for proper connection and compatibility.

CAUTION !

If this base will be installed in an existing operational system, inform the operator and local authority that the system will be temporarily out of service. Disconnect power to the control panel before installing the base.

CAUTION

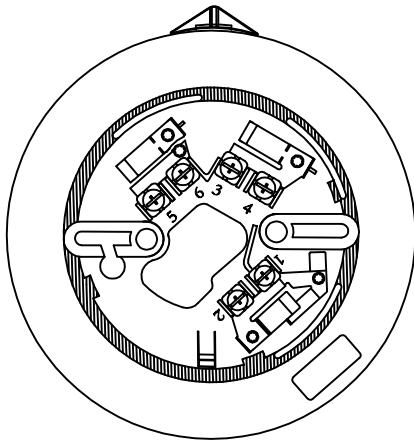
Install the bases in this instruction in accordance with applicable NFPA standards, local codes, and the authorities having jurisdiction. Failure to follow these instructions may result in failure of the detector to initiate an alarm condition. Hochiki America is not responsible for detectors that have been improperly installed, tested, or maintained.

For testing and cleaning information refer to the detector's technical bulletin. Also refer to NFPA-72 Chapter 2 & 7 for Automatic Fire Detectors for installation guidelines, testing, and maintenance.

Use "3M" Weatherban # 606 nonflammable sealing compound to seal field wiring conduit openings in the mounting back box. Compliance with this request may reduce the occurrence of the "STACK EFFECT".

SLC maximum wiring resistance is 50 ohms (18 - 14AWG).

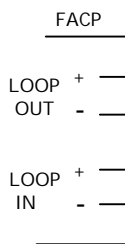
SCI-B47 - SLC wired to top of base as shown



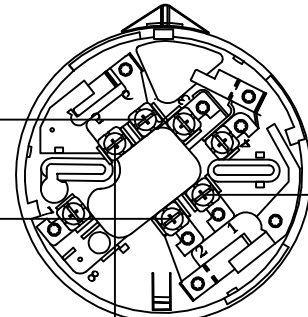
SCI-B67 Top terminals not used

WIRING DIAGRAM

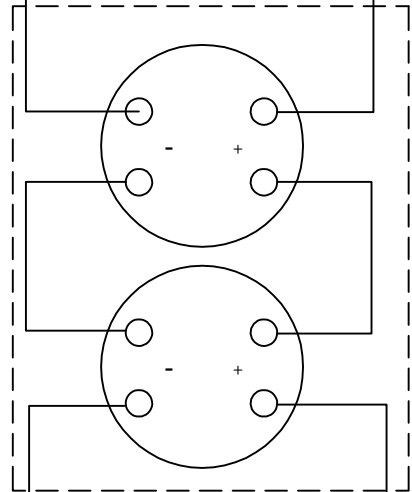
Please refer to UL listed Fire Alarm Control Panel installation instruction for wiring details.



CLASS A WIRING



SCI-B47: TERMINAL CONNECTION 1, 2, 5 AND 6 WIRING SHOWN IS SUPERVISED AND INHERENTLY POWER LIMITED



Group of various DCP devices

SCI-B67: TB1 WIRING SHOWN IS SUPERVISED AND INHERENTLY POWER LIMITED

SCI-B67 Series Mounting Instructions

Please refer to diagram in Figure 1

The Model SCI-B67 bases mount directly to 3" or 4" standard boxes. To mount the base, remove the back cover from the main assembly and place flush onto a back box. Attach the cover using the (2) 8-32 x 1 3/8 mounting screws (supplied). Once the back cover is mounted securely to the box, snap the main assembly into place by aligning the notches on both pieces of the plastic housing. Complete the assembly by fastening it using (2) standoff screws (supplied) into the appropriate slots.

Note: Outer mounting holes not to be used with SCI-B-67.

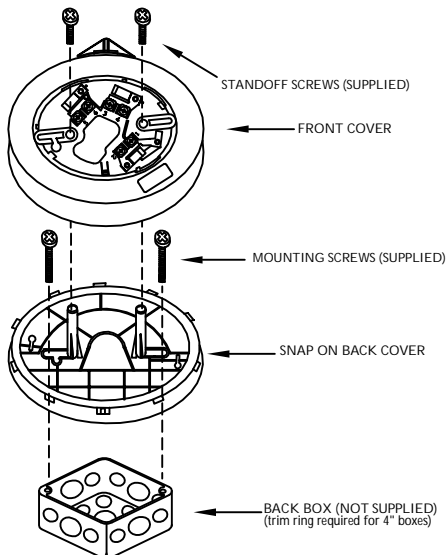
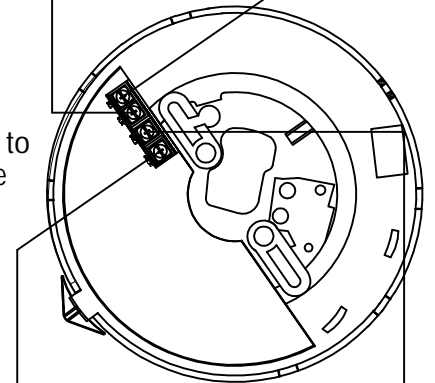
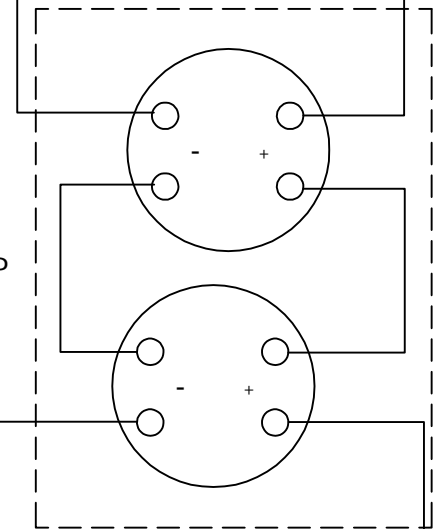


Figure 1

SCI-B67 wired to Bottom of base as shown



Group of various DCP devices



Testifire 1000 or 2000 with TS3 or TC3:

1. Insert the battery baton, hold the Testifire head unit by the handle and depress the upper spring button on the battery baton. Align the button with the location hole in the handle and push the battery baton into the handle until the button springs up through the location hole.
2. Insert the other end of the battery baton into the Solo access pole and depress the lower spring button. Align it with the location hole and push the battery baton further into the pole until the button springs up through the hole.
3. Remove the capsule from its outer carton and Anti-Static bag.
4. Remove the spring clip protector cap from the new capsule.
5. Holding the capsule by spring clips with the label on the underside, carefully insert the new capsule into the capsule port. Push it into position, ensuring that the clips spring out positively on both sides of the capsule.
6. Close the access cover securely.
7. Program the tester to the following options available: Smoke, Heat or CO.
8. Raise Testifire over the detector. The detector should touch the base of the inner clear cup.
9. Lower Testifire from the detector.

Testifire's LED Indications:

Blue Solid:	Smoke test in progress
Red Solid:	Heat test in progress
Green Solid:	CO test in progress
Green Slow Flashing:	Standby mode
Green Fast Flashing:	Operational mode
Red Flashing:	Battery needs charging, but still operational
Alternating Red/Green Flashing:	Timeout indication (after 2 minutes of continuous testing on one stimulus or combination of stimuli)
Red Solid:	Error
Green Solid:	CO cooling
Alternating Red/Green	CO cooling phase wait until standby mode status before continuing to test CO

To perform the CO test, the Panel must first be in test mode. On the Panel:

Access Level 3 > Edit Configuration > Edit Device Attribute > Edit Device on Loop > Select detector (Enter) > Edit Modes > Select:

DAY: +S+FT+RoR+CO+COHb
 NIGHT: +S+FT+RoR+CO+COHb

